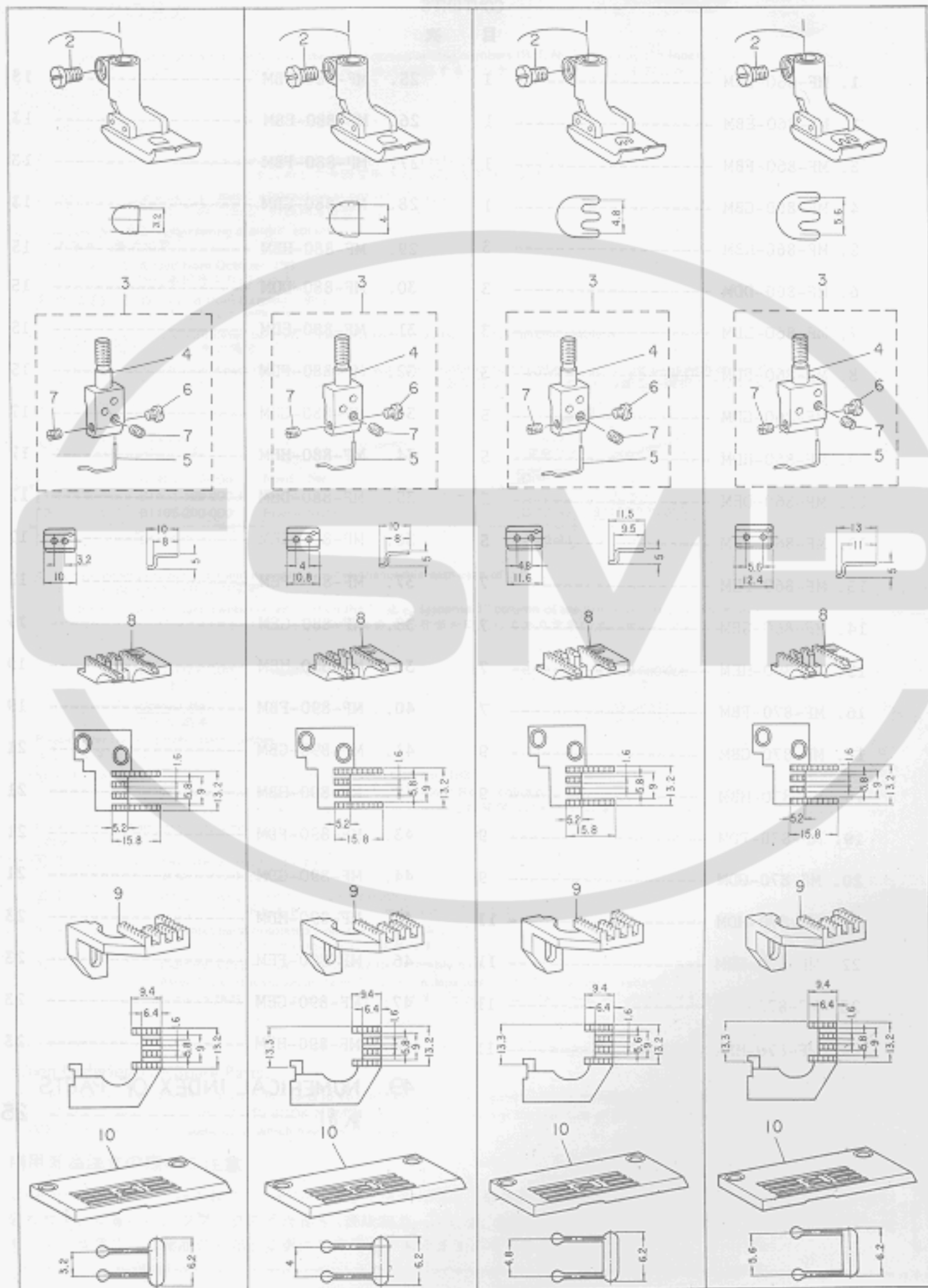


1 MF-860-DBM

2 MF-860-EBM

3 MF-860-FBM

4 MF-860-GBM



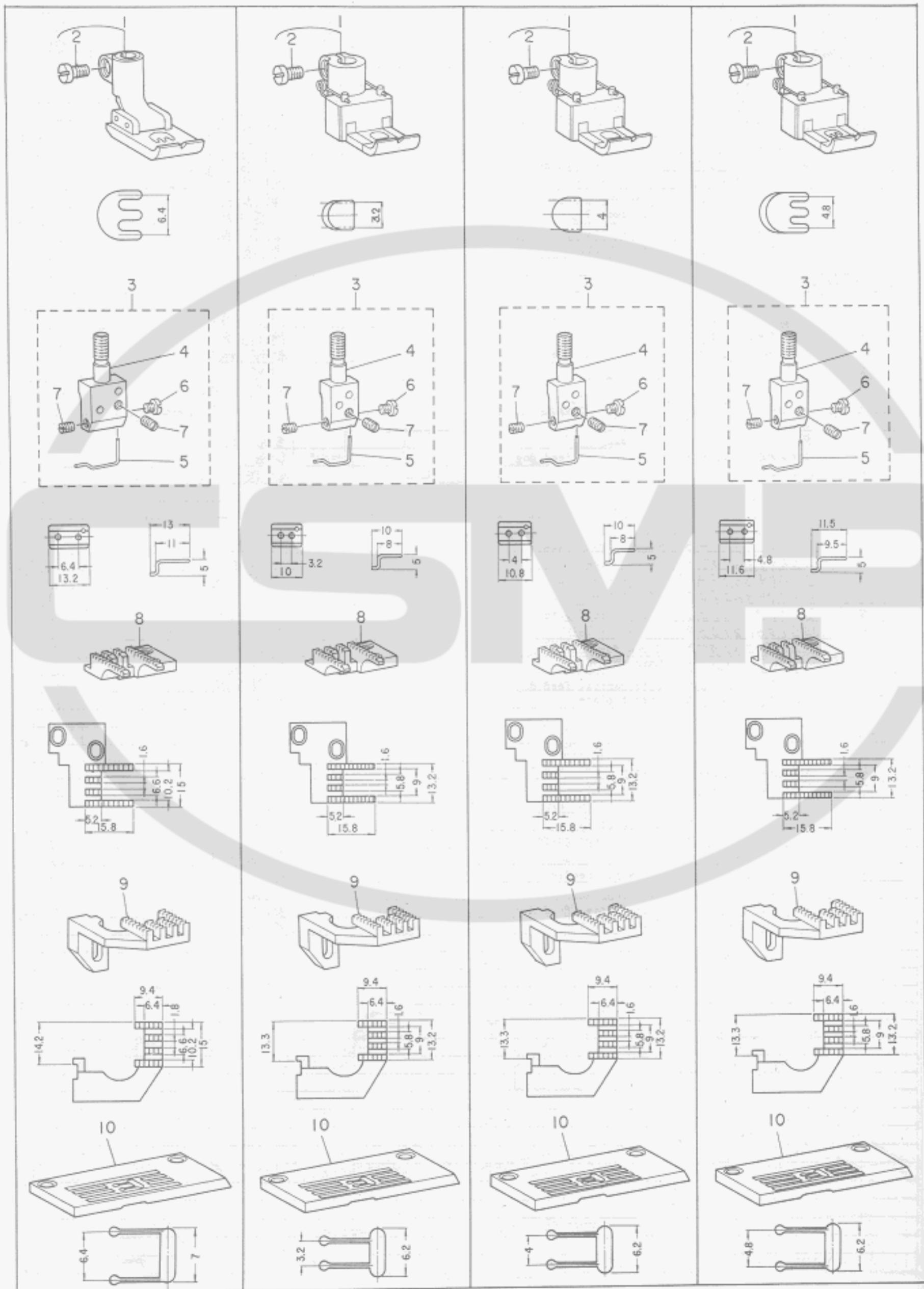
Ref.No.	Note 注記	Part No. 品番	Description	E. C. 変更年月	品名	Amt. Req. 個数
1, MF-860-DBM:						
1		R5200F0D0AB	Presser foot asm.		押工(組)	1
2		SS6090670TP	. . . Screw		押工止ネジ	(1)
3		B1409860DA0	Needle clamp asm.		針箱(組)	1
4		B1409860D00	Needle clamp		針箱	(1)
5		B1410860D00	. . . Thread guide		針箱糸案内	(1)
6		SS6060210SP	. . . . . Screw		針箱糸案内止ネジ	(1)
7		SS8080310TP	Screw for needle		針止ネジ	(2)
8		R6000F0G40B	Main feed dog		主送り歯	1
9		R6100F0G40B	Differential feed dog		副送り歯	1
10		R4250F0D60B	Throat plate		針板	1
2, MF-860-EBM:						
1		R5200F0E0AB	Presser foot asm.		押工(組)	1
2		SS6090670TP	. . . Screw		押工止ネジ	(1)
3		B1409860EA0	Needle clamp asm.		針箱(組)	1
4		B1409860E00	Needle clamp		針箱	(1)
5		B1410860F00	. . . Thread guide		針箱糸案内	(1)
6		SS6060210SP	. . . . . Screw		針箱糸案内止ネジ	(1)
7		SS8080310TP	Screw for needle		針止ネジ	(2)
8		R6000F0G40B	Main feed dog		主送り歯	1
9		R6100F0G40B	Differential feed dog		副送り歯	1
10		R4250F0E60B	Throat plate		針板	1
3, MF-860-FBM:						
1		R5300F0F1AB	Presser foot asm.		押工(組)	1
2		SS6090670TP	. . . Screw		押工止ネジ	(1)
3		B1409860FA0	Needle clamp asm.		針箱(組)	1
4		B1409860F00	Needle clamp		針箱	(1)
5		B1410860F00	. . . Thread guide		針箱糸案内	(1)
6		SS6060210SP	. . . . . Screw		針箱糸案内止ネジ	(1)
7		SS8080310TP	Screw for needle		針止ネジ	(2)
8		R6000F0G40B	Main feed dog		主送り歯	1
9		R6100F0G40B	Differential feed dog		副送り歯	1
10		R4250F0F60B	Throat plate		針板	1
4, MF-860-GBM:						
1		R5300F0G1AB	Presser foot asm.		押工(組)	1
2		SS6090670TP	. . . Screw		押工止ネジ	(1)
3		B1409860GA0	Needle clamp asm.		針箱(組)	1
4		B1409860G00	Needle clamp		針箱	(1)
5		B1410860H00	. . . Thread guide		針箱糸案内	(1)
6		SS6060210SP	. . . . . Screw		針箱糸案内止ネジ	(1)
7		SS8080310TP	Screw for needle		針止ネジ	(2)
8		R6000F0G40B	Main feed dog		主送り歯	1
9		R6100F0G40B	Differential feed dog		副送り歯	1
10		R4250F0G60B	Throat plate		針板	1

5. MF-860-HBM

6. MF-860-DDM

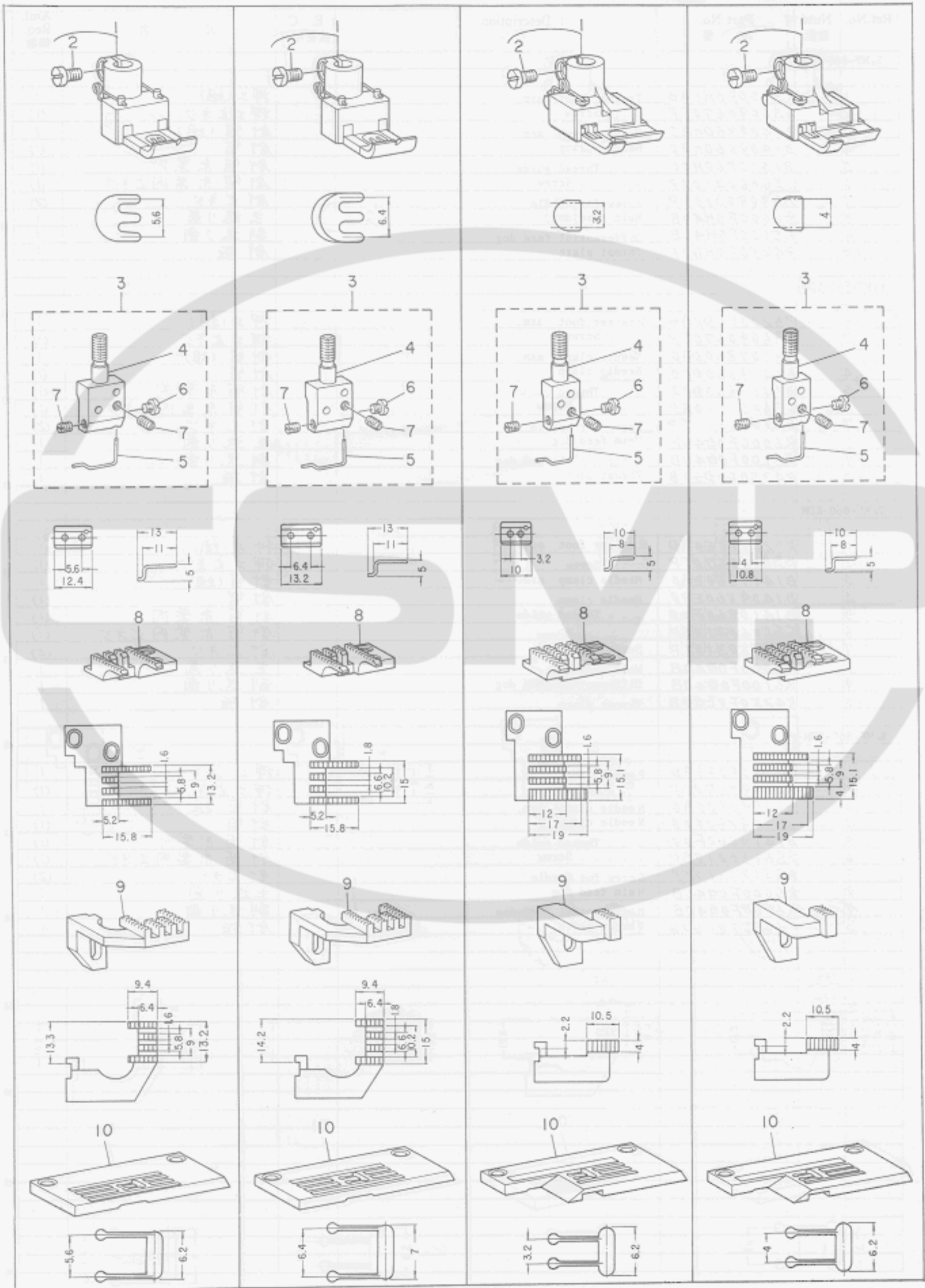
7. MF-860-EDM

8. MF-860-FDM



Ref.No.	Note 注記	Part No. 品番	Description	E. C. 変更年月	品名	Amt. Req. 個数
5.MF-860-HBM						
1		R5300F0H1AB	Presser foot asm.		押工(組)	1
2		SS6090670TP	. . . Screw		押工止ネジ	(1)
3		B1409860HA0	Needle clamp asm.		針留(組)	1
4		B1409860H00	Needle clamp		針留	(1)
5		B1410860H00	. . . Thread guide		針留糸案内	(1)
6		SS6060210SP	. . . . . Screw		針留糸案内止ネジ	(1)
7		SS8080310TP	Screw for needle		針止ネジ	(2)
8		R6000F0H40B	Main feed dog		主送り歯	1
9		R6100F0H40B	Differential feed dog		副送り歯	1
10		R4250F0H40B	Throat plate		針板	1
6.MF-860-DDM						
1		R5200F0D0AD	Presser foot asm.		押工(組)	1
2		SS6090670TP	. . . Screw		押工止ネジ	(1)
3		B1409860DA0	Needle clamp asm.		針留(組)	1
4		B1409860D00	Needle clamp		針留	(1)
5		B1410860D00	. . . Thread guide		針留糸案内	(1)
6		SS6060210SP	. . . . . Screw		針留糸案内止ネジ	(1)
7		SS8080310TP	Screw for needle		針止ネジ	(2)
8		R6000F0D40B	Main feed dog		主送り歯	1
9		R6100F0D40B	Differential feed dog		副送り歯	1
10		R4250F0D40B	Throat plate		針板	1
7.MF-860-EDM						
1		R5200F0E0AD	Presser foot asm.		押工(組)	1
2		SS6090670TP	. . . Screw		押工止ネジ	(1)
3		B1409860EA0	Needle clamp asm.		針留(組)	1
4		B1409860E00	Needle clamp		針留	(1)
5		B1410860E00	. . . Thread guide		針留糸案内	(1)
6		SS6060210SP	. . . . . Screw		針留糸案内止ネジ	(1)
7		SS8080310TP	Screw for needle		針止ネジ	(2)
8		R6000F0E40B	Main feed dog		主送り歯	1
9		R6100F0E40B	Differential feed dog		副送り歯	1
10		R4250F0E40B	Throat plate		針板	1
8.MF-860-FDM						
1		R5300F0F1AD	Presser foot asm.		押工(組)	1
2		SS6090670TP	. . . Screw		押工止ネジ	(1)
3		B1409860FA0	Needle clamp asm.		針留(組)	1
4		B1409860F00	Needle clamp		針留	(1)
5		B1410860F00	. . . Thread guide		針留糸案内	(1)
6		SS6060210SP	. . . . . Screw		針留糸案内止ネジ	(1)
7		SS8080310TP	Screw for needle		針止ネジ	(2)
8		R6000F0F40B	Main feed dog		主送り歯	1
9		R6100F0F40B	Differential feed dog		副送り歯	1
10		R4250F0F40B	Throat plate		針板	1

9. MF-860-GDM 10. MF-860-HDM 11. MF-860-DEM 12. MF-860-EEM



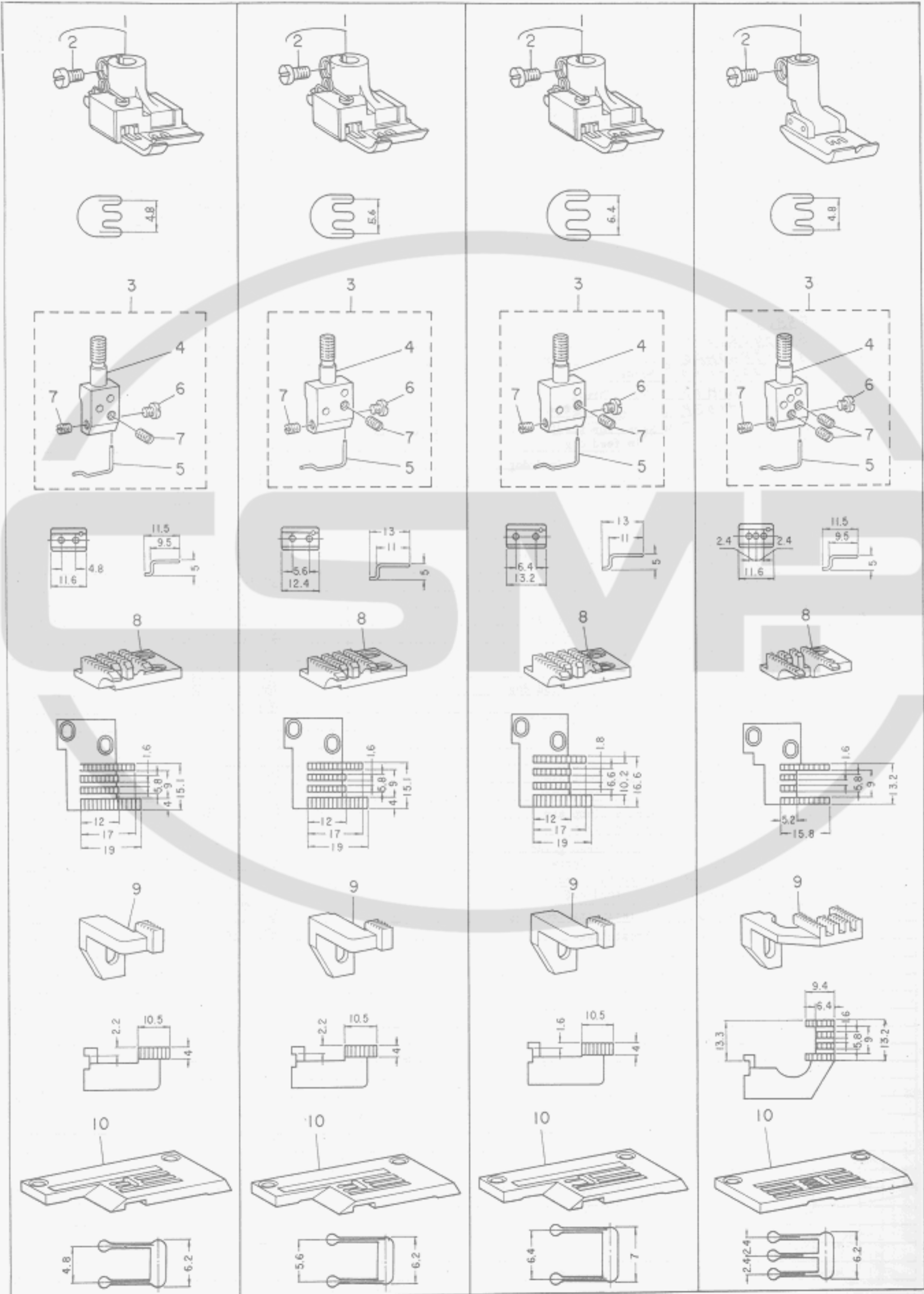
Ref.No.	Note 注記	Part No. 品 番	Description	E. C. 変更年月	品 名	Amt. Req. 個数
9. MF-860-GDM						
1		R5300F0G1AD	Presser foot asm.		押エ(組)	1
2		SS6090670TP	. . . Screw		押エ止ネジ	(1)
3		B1409860GA0	Needle clamp asm.		針留(組)	1
4		B1409860G00	Needle clamp		針留	(1)
5		B1410860H00	. . . Thread guide		針留糸案内	(1)
6		SS6060210SP	. . . . . Screw		針留糸案内止ネジ	(1)
7		SS8080310TP	Screw for needle		針止ネジ	(2)
8		R6000F0G40B	Main feed dog		主送り歯	1
9		R6100F0G40B	Differential feed dog		副送り歯	1
10		R4250F0G40B	Throat plate		針板	1
10. MF-860-HDM						
1		R5300F0H1AD	Presser foot asm.		押エ(組)	1
2		SS6090670TP	. . . Screw		押エ止ネジ	(1)
3		B1409860HA0	Needle clamp asm.		針留(組)	1
4		B1409860H00	Needle clamp		針留	(1)
5		B1410860H00	. . . Thread guide		針留糸案内	(1)
6		SS6060210SP	. . . . . Screw		針留糸案内止ネジ	(1)
7		SS8080310TP	Screw for needle		針止ネジ	(2)
8		R6000F0H40B	Main feed dog		主送り歯	1
9		R6100F0H40B	Differential feed dog		副送り歯	1
10		R4250F0H40B	Throat plate		針板	1
11. MF-860-DEM						
1		R5200F0D0AE	Presser foot asm.		押エ(組)	1
2		SS6090670TP	. . . Screw		押エ止ネジ	(1)
3		B1409860DA0	Needle clamp asm.		針留(組)	1
4		B1409860D00	Needle clamp		針留	(1)
5		B1410860D00	. . . Thread guide		針留糸案内	(1)
6		SS6060210SP	. . . . . Screw		針留糸案内止ネジ	(1)
7		SS8080310TP	Screw for needle		針止ネジ	(2)
8		R6000F0G40E	Main feed dog		主送り歯	1
9		R6100F0G10E	Differential feed dog		副送り歯	1
10		R4250F0D40E	Throat plate		針板	1
12. MF-860-EEM						
1		R5200F0E0AE	Presser foot asm.		押エ(組)	1
2		SS6090670TP	. . . Screw		押エ止ネジ	(1)
3		B1409860EA0	Needle clamp asm.		針留(組)	1
4		B1409860E00	Needle clamp		針留	(1)
5		B1410860E00	. . . Thread guide		針留糸案内	(1)
6		SS6060210SP	. . . . . Screw		針留糸案内止ネジ	(1)
7		SS8080310TP	Screw for needle		針止ネジ	(2)
8		R6000F0G40E	Main feed dog		主送り歯	1
9		R6100F0G10E	Differential feed dog		副送り歯	1
10		R4250F0E40E	Throat plate		針板	1

13. MF-860-FEM

14. MF-860-GEM

15. MF-860-HEM

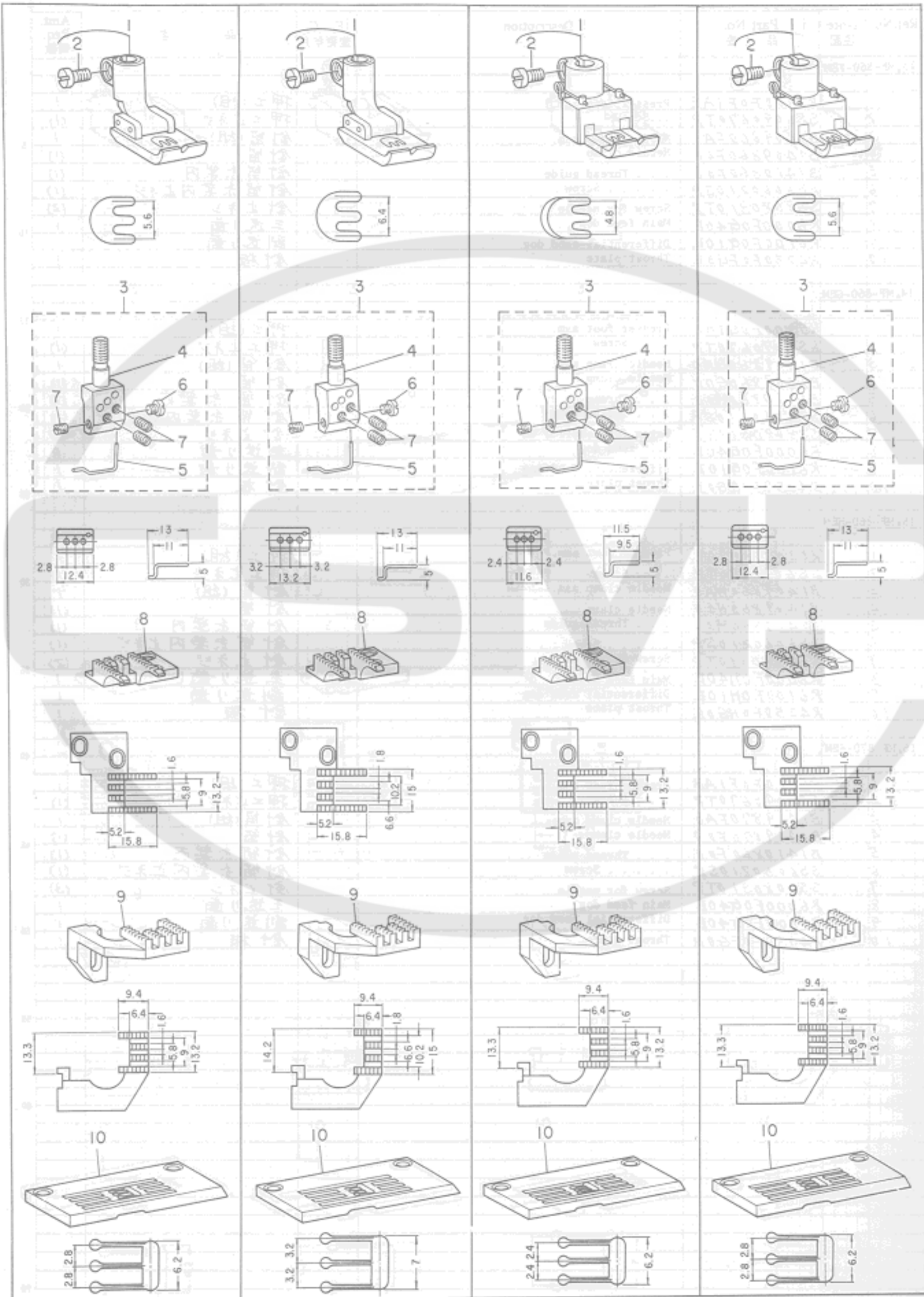
16. MF-870-FBM



Ref.No.	Note 注記	Part No. 品番	Description	E. C. 変更年月	品名	Amt. Req. 個数
13. MF-860-FEM						
1		R5300F0F1AE	Presser foot asm.		押工(組)	1
2		SS6090670TP	...Screw		押工止ネジ	(1)
3		B1409860FA0	Needle clamp asm.		針留(組)	1
4		B1409860F00	Needle clamp		針留	(1)
5		B1410860F00	... Thread guide		針留糸案内	(1)
6		SS6060210SP	... Screw		針留糸案内止ネジ	(1)
7		SS8080310TP	Screw for needle		針止ネジ	(2)
8		R6000F0G40E	Main feed dog		主送り歯	1
9		R6100F0G10E	Differential feed dog		副送り歯	1
10		R4250F0FG0E	Throat plate		針板	1
14. MF-860-GEM						
1		R5300F0G1AE	Presser foot asm.		押工(組)	1
2		SS6090670TP	... Screw		押工止ネジ	(1)
3		B1409860GA0	Needle clamp asm.		針留(組)	1
4		B1409860G00	Needle clamp		針留	(1)
5		B1410860H00	... Thread guide		針留糸案内	(1)
6		SS6060210SP	... Screw		針留糸案内止ネジ	(1)
7		SS8080310TP	Screw for needle		針止ネジ	(2)
8		R6000F0G40E	Main feed dog		主送り歯	1
9		R6100F0G10E	Differential feed dog		副送り歯	1
10		R4250F0G0E	Throat plate		針板	1
15. MF-860-HEM						
1		R5300F0H1AE	Presser foot asm.		押工(組)	1
2		SS6090670TP	... Screw		押工止ネジ	(1)
3		B1409860HA0	Needle clamp asm.		針留(組)	1
4		B1409860H00	Needle clamp		針留	(1)
5		B1410860H00	... Thread guide		針留糸案内	(1)
6		SS6060210SP	... Screw		針留糸案内止ネジ	(1)
7		SS8080310TP	Screw for needle		針止ネジ	(2)
8		R6000F0H40E	Main feed dog		主送り歯	1
9		R6100F0H10E	Differential feed dog		副送り歯	1
10		R4250F0HG0E	Throat plate		針板	1
16. MF-870-FBM						
1		R5300F0F1AB	Presser foot asm.		押工(組)	1
2		SS6090670TP	... Screw		押工止ネジ	(1)
3		B1409870FA0	Needle clamp asm.		針留(組)	1
4		B1409870F00	Needle clamp		針留	(1)
5		B1410860F00	... Thread guide		針留糸案内	(1)
6		SS6060210SP	... Screw		針留糸案内止ネジ	(1)
7		SS8080310TP	Screw for needle		針止ネジ	(3)
8		R6000F0G40B	Main feed dog		主送り歯	1
9		R6100F0G40B	Differential feed dog		副送り歯	1
10		R4350F0FG0B	Throat plate		針板	1

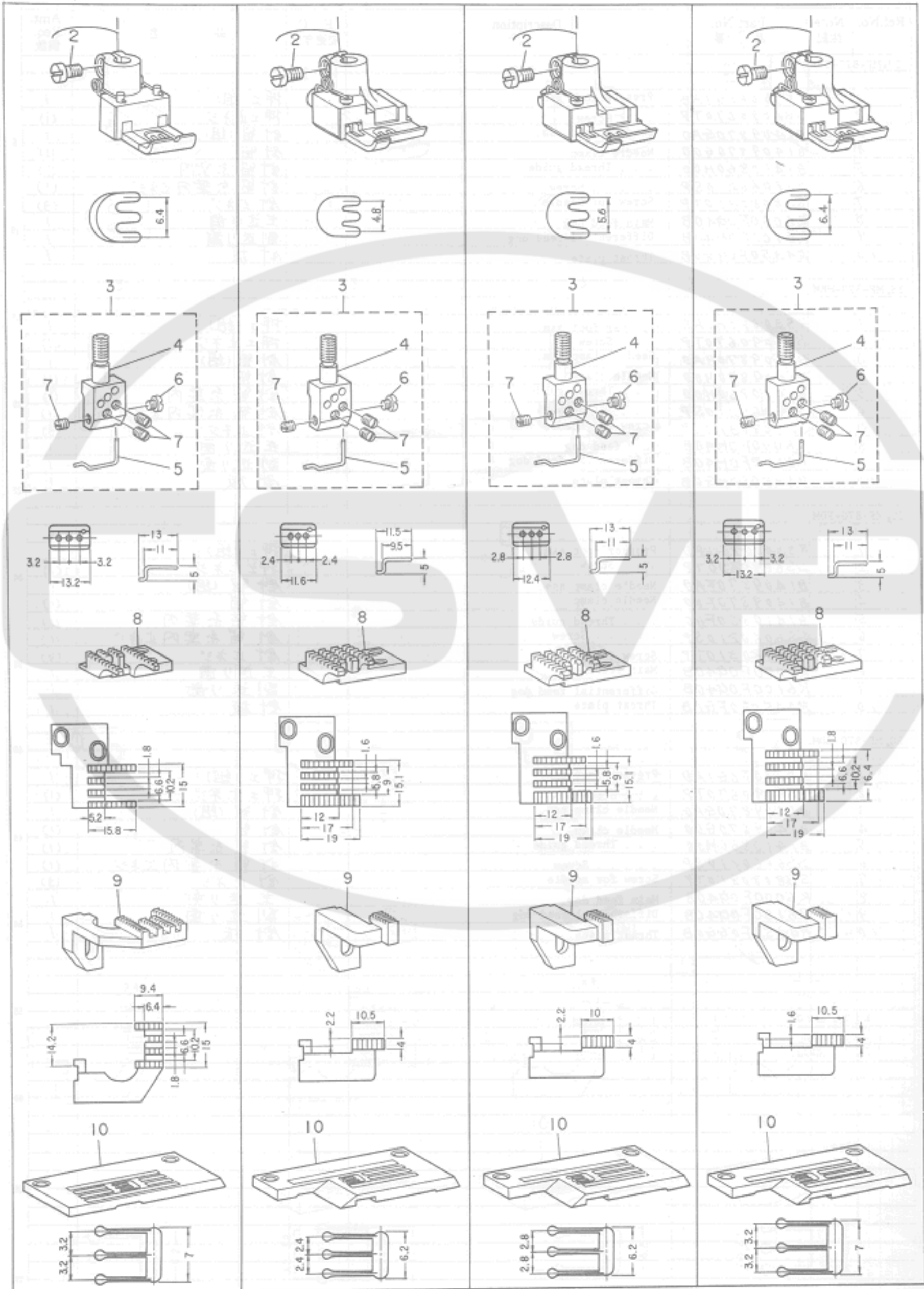


17. MF-870-GBM 18. MF-870-HBM 19. MF-870-FDM 20. MF-870-GDM



Ref.No.	Note 注記	Part No. 品番	Description	E. C. 変更年月	品名	Amt. Req. 個数
17, MF-870-GBM						
1		R5300F0G1AB	Presser foot asm.		押エ(組)	1
2		SS6090670TP	. . . Screw		押エ止ネジ	(1)
3		B1409870GAD	Needle clamp asm.		針留(組)	1
4		B1409870G0D	Needle clamp		針留	(1)
5		B1410860H00	. . . Thread guide		針留糸案内	(1)
6		SS6060210SP	. . . . . Screw		針留糸案内止ネジ	(1)
7		SS8080310TP	Screw for needle		針止ネジ	(3)
8		R6000F0G40B	Main feed dog		主送り歯	1
9		R6100F0G40B	Differential feed dog		副送り歯	1
10		R4350F0G40B	Throat plate		針板	1
18, MF-870-HBM						
1		R5300F0H1AB	Presser foot asm.		押エ(組)	1
2		SS6090670TP	. . . Screw		押エ止ネジ	(1)
3		B1409870HAD	Needle clamp asm.		針留(組)	1
4		B1409870H0D	Needle clamp		針留	(1)
5		B1410860H00	. . . Thread guide		針留糸案内	(1)
6		SS6060210SP	. . . . . Screw		針留糸案内止ネジ	(1)
7		SS8080310TP	Screw for needle		針止ネジ	(3)
8		R6000F0H40B	Main feed dog		主送り歯	1
9		R6100F0H40B	Differential feed dog		副送り歯	1
10		R4350F0H40B	Throat plate		針板	1
19, MF-870-FDM						
1		R5300F0F1AD	Presser foot asm.		押エ(組)	1
2		SS6090670TP	. . . Screw		押エ止ネジ	(1)
3		B1409870FAD	Needle clamp asm.		針留(組)	1
4		B1409870F0D	Needle clamp		針留	(1)
5		B1410860F0D	. . . Thread guide		針留糸案内	(1)
6		SS6060210SP	. . . . . Screw		針留糸案内止ネジ	(1)
7		SS8080310TP	Screw for needle		針止ネジ	(3)
8		R6000F0G40B	Main feed dog		主送り歯	1
9		R6100F0G40B	Differential feed dog		副送り歯	1
10		R4350F0F40B	Throat plate		針板	1
20, MF-870-GDM						
1		R5300F0G1AD	Presser foot asm.		押エ(組)	1
2		SS6090670TP	. . . Screw		押エ止ネジ	(1)
3		B1409870GAD	Needle clamp asm.		針留(組)	1
4		B1409870G0D	Needle clamp		針留	(1)
5		B1410860H0D	. . . Thread guide		針留糸案内	(1)
6		SS6060210SP	. . . . . Screw		針留糸案内止ネジ	(1)
7		SS8080310TP	Screw for needle		針止ネジ	(3)
8		R6000F0G40B	Main feed dog		主送り歯	1
9		R6100F0G40B	Differential feed dog		副送り歯	1
10		R4350F0G40B	Throat plate		針板	1

21. MF-870-HDM 22. MF-870-FEM 23. MF-870-GEM 24. MF-870-HEM



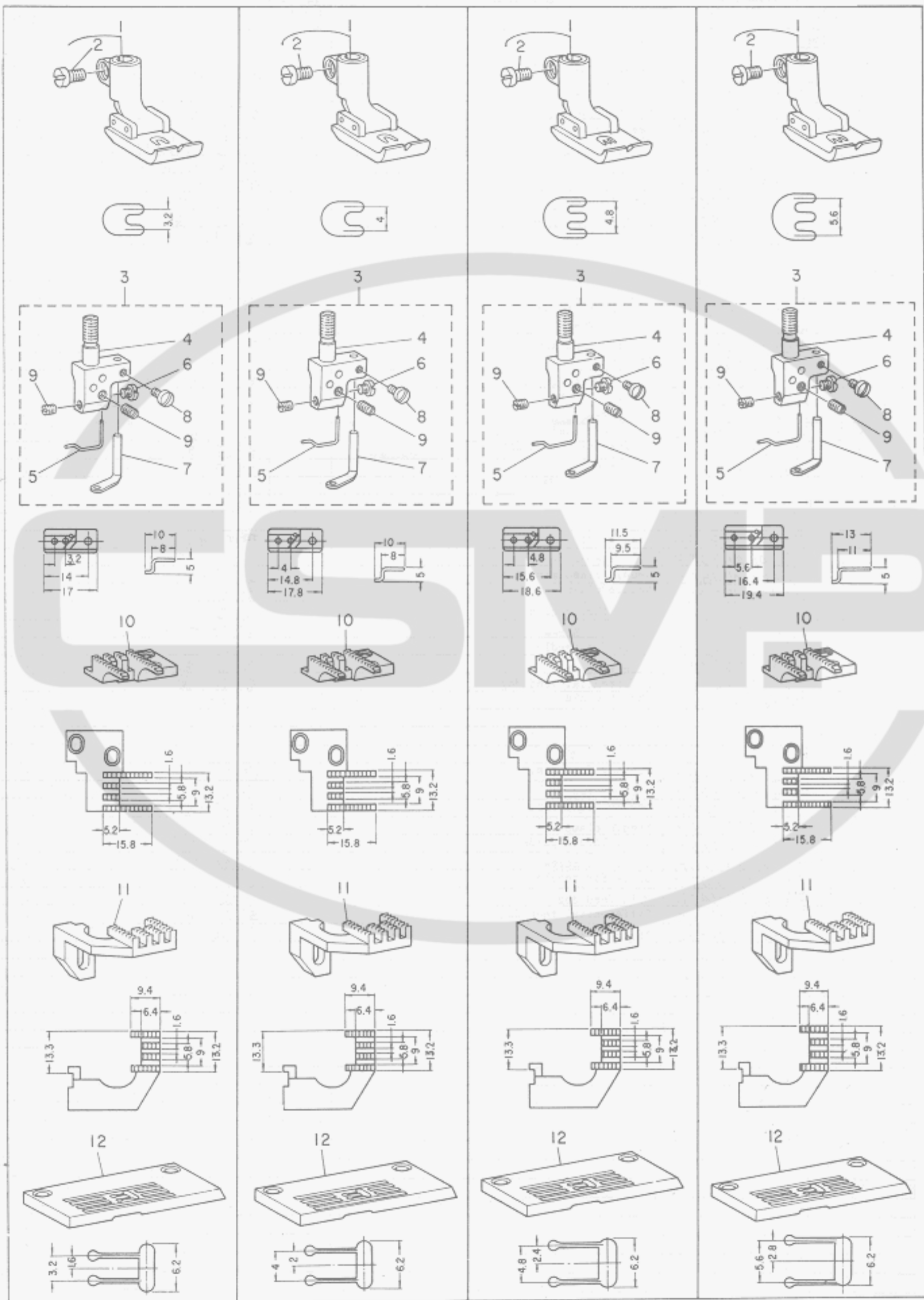
Ref.No.	Note 注記	Part No. 品 番	Description	E. C. 変更年月	品 名	Amt. Req. 個数
21 MF-870-HDM						
1		R5300F0H1AD	Presser foot asm.		押エ(組)	1
2		SS6090670TP	. . . Screw		押エ止ネジ	1
3		B1409870HAD	Needle clamp asm.		針留(組)	1
4		B1409870H00	Needle clamp		針留	(1)
5		B1410860D00	. . . Thread guide		針留糸案内	(1)
6		SS6060210SP	. . . . . Screw		針留糸案内止ネジ	(1)
7		SS8080310TP	Screw for needle		針止ネジ	(3)
8		R6000F0H40B	Main feed dog		主送り歯	1
9		R6100F0H40B	Differential feed dog		副送り歯	1
10		R4350F0H40B	Throat plate		針板	1
22 MF-870-FEM						
1		R5300F0F1AE	Presser foot asm.		押エ(組)	1
2		SS6090670TP	. . . Screw		押エ止ネジ	1
3		B1409870FA0	Needle clamp asm.		針留(組)	1
4		B1409870F00	Needle clamp		針留	(1)
5		B1410860F00	. . . Thread guide		針留糸案内	(1)
6		SS6060210SP	. . . . . Screw		針留糸案内止ネジ	(1)
7		SS8080310TP	Screw for needle		針止ネジ	(3)
8		R6000F0G40E	Main feed dog		主送り歯	1
9		R6100F0G10E	Differential feed dog		副送り歯	1
10		R4350F0F40E	Throat plate		針板	1
23 MF-870-GEM						
1		R5300F0G1AE	Presser foot asm.		押エ(組)	1
2		SS6090670TP	. . . Screw		押エ止ネジ	1
3		B1409870GAD	Needle clamp asm.		針留(組)	1
4		B1409870G00	Needle clamp		針留	(1)
5		B1410860F00	. . . Thread guide		針留糸案内	(1)
6		SS6060210SP	. . . . . Screw		針留糸案内止ネジ	(1)
7		SS8080310TP	Screw for needle		針止ネジ	(3)
8		R6000F0G40E	Main feed dog		主送り歯	1
9		R6100F0G10E	Differential feed dog		副送り歯	1
10		R4350F0G40E	Throat plate		針板	1
24 MF-870-HEM						
1		R5300F0H1AE	Presser foot asm.		押エ(組)	1
2		SS6090670TP	. . . Screw		押エ止ネジ	1
3		B1409870HAD	Needle clamp asm.		針留(組)	1
4		B1409870H00	Needle clamp		針留	(1)
5		B1410860F00	. . . Thread guide		針留糸案内	(1)
6		SS6060210SP	. . . . . Screw		針留糸案内止ネジ	(1)
7		SS8080310TP	Screw for needle		針止ネジ	(3)
8		R6000F0H40E	Main feed dog		主送り歯	1
9		R6100F0H10E	Differential feed dog		副送り歯	1
10		R4350F0H40E	Throat plate		針板	1

25 MF-880-DBM

26 MF-880-EBM

27 MF-880-FBM

28 MF-880-GBM



Ref.No.	Note 注記	Part No. 品番	Description	E. C. 変更年月	品名	Amt. Req. 個数
25. MF-880-DBM						
1		R5200F0D1AB	Presser foot asm.		押エ(組)	1
2		SS6090670TP	. . . Screw		押エ止ネジ	(1)
3		B1409880DA0	Needle clamp asm.		針留(組)	1
4		B1409880D00	Needle clamp		針留	(1)
5		B1410860D00	. . . Thread guide		針留糸案内	(1)
6		SS6060210SP	. . . . . Screw		針留糸案内止ネジ	(1)
7		B3933880000	Spreader thread guide		スプレッダー糸案内	(1)
8		SS6060410TP	. . . Screw		スプレッダー糸案内止ネジ	(1)
9		SS8080310TP	Screw for needle		針止ネジ	(2)
10		R6000F0G40B	Main feed dog		主送り歯	1
11		R6100F0G40B	Differential feed dog		副送り歯	1
12		R4250F0D60B	Throat plate		針板	1
26. MF-880-EBM						
1		R5200F0E1AB	Presser foot asm.		押エ(組)	1
2		SS6090670TP	. . . Screw		押エ止ネジ	(1)
3		B1409880EA0	Needle clamp asm.		針留(組)	1
4		B1409880E00	Needle clamp		針留	(1)
5		B1410860F00	. . . Thread guide		針留糸案内	(1)
6		SS6060210SP	. . . . . Screw		針留糸案内止ネジ	(1)
7		B3933880000	Spreader thread guide		スプレッダー糸案内	(1)
8		SS6060410TP	. . . Screw		スプレッダー糸案内止ネジ	(1)
9		SS8080310TP	Screw for needle		針止ネジ	(2)
10		R6000F0G40B	Main feed dog		主送り歯	1
11		R6100F0G40B	Differential feed dog		副送り歯	1
12		R4250F0E60B	Throat plate		針板	1
27. MF-880-FBM						
1		R5300F0F1AB	Presser foot asm.		押エ(組)	1
2		SS6090670TP	. . . Screw		押エ止ネジ	(1)
3		B1409880FA0	Needle clamp asm.		針留(組)	1
4		B1409880F00	Needle clamp		針留	(1)
5		B1410860F00	. . . Thread guide		針留糸案内	(1)
6		SS6060210SP	. . . . . Screw		針留糸案内止ネジ	(1)
7		B3933880000	Spreader thread guide		スプレッダー糸案内	(1)
8		SS6060410TP	. . . Screw		スプレッダー糸案内止ネジ	(1)
9		SS8080310TP	Screw for needle		針止ネジ	(2)
10		R6000F0G40B	Main feed dog		主送り歯	1
11		R6100F0G40B	Differential feed dog		副送り歯	1
12		R4250F0F60B	Throat plate		針板	1
28. MF-880-GBM						
1		R5300F0G1AB	Presser foot asm.		押エ(組)	1
2		SS6090670TP	. . . Screw		押エ止ネジ	(1)
3		B1409880GA0	Needle clamp asm.		針留(組)	1
4		B1409880G00	Needle clamp		針留	(1)
5		B1410860H00	. . . Thread guide		針留糸案内	(1)
6		SS6060210SP	. . . . . Screw		針留糸案内止ネジ	(1)
7		B3933880000	Spreader thread guide		スプレッダー糸案内	(1)
8		SS6060410TP	. . . Screw		スプレッダー糸案内止ネジ	(1)
9		SS8080310TP	Screw for needle		針止ネジ	(2)
10		R6000F0G40B	Main feed dog		主送り歯	1
11		R6100F0G40B	Differential feed dog		副送り歯	1
12		R4250F0G60B	Throat plate		針板	1

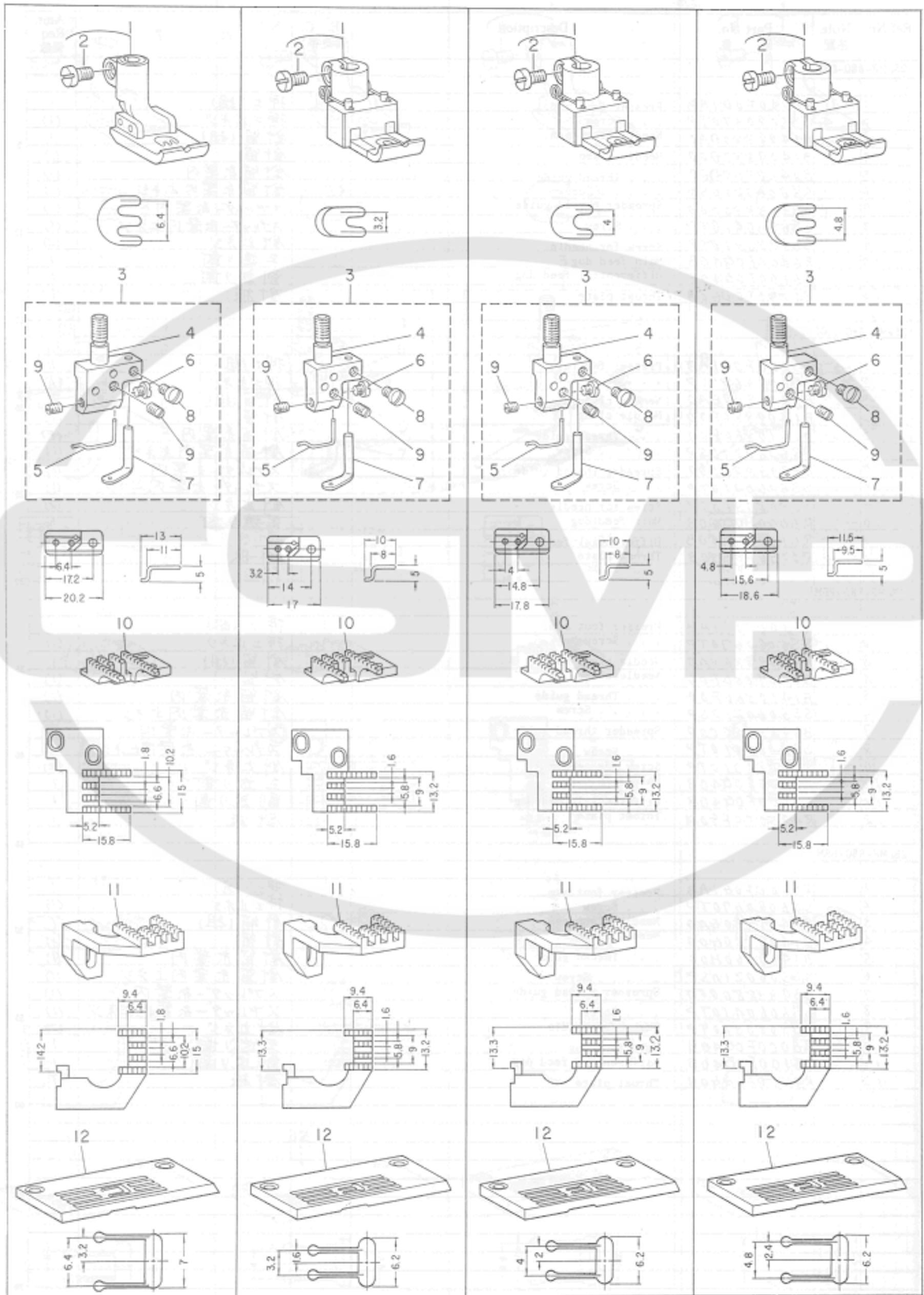
25 MF-880-DBM 26 MF-880-FBM 27 MF-880-FBM 28 MF-880-FBM

29. MF-880-HBM

30. MF-880-DDM

31. MF-880-EDM

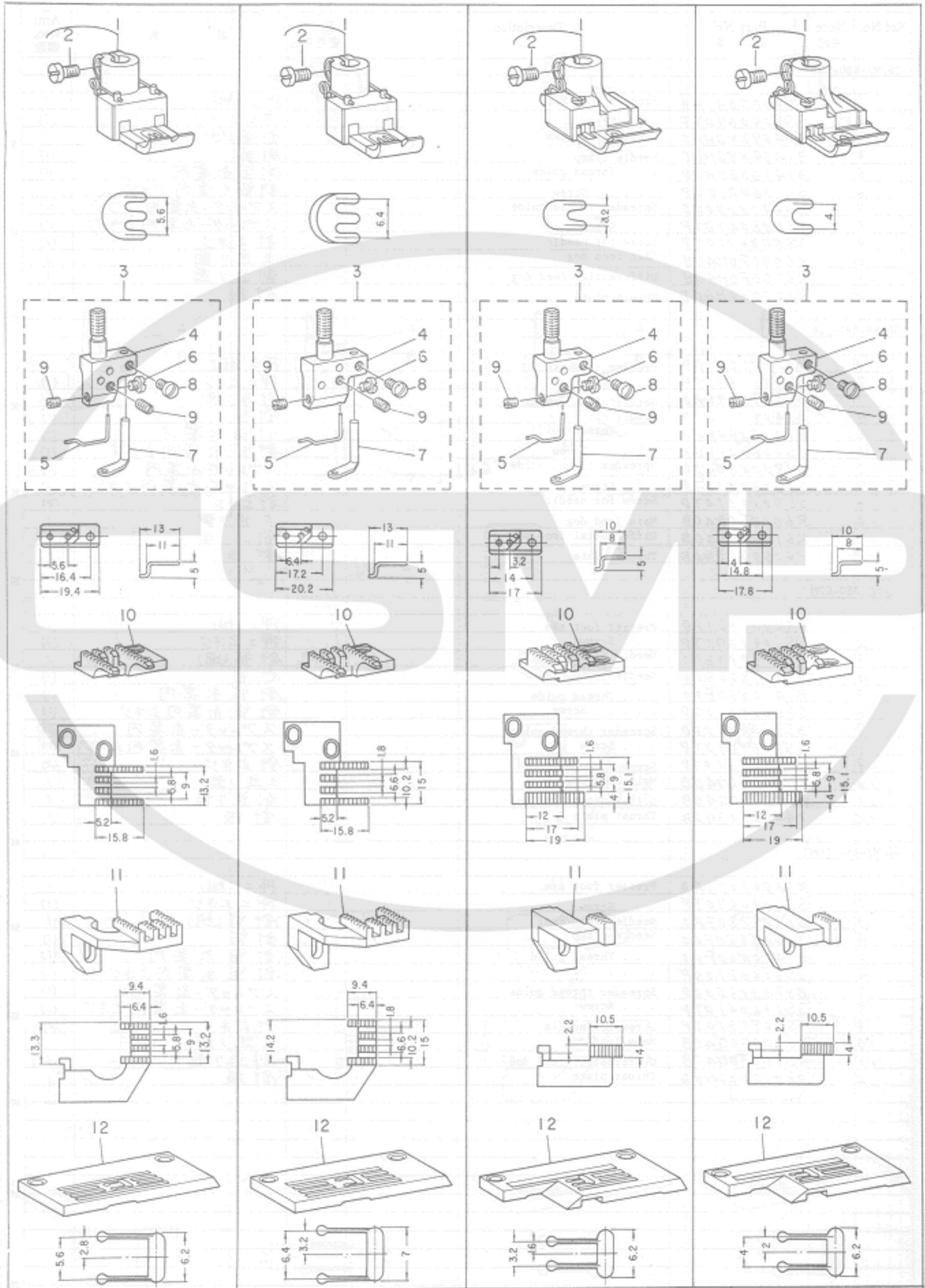
32. MF-880-FDM



Ref.No.	Note 注記	Part No. 品 番	Description	E. C. 変更年月	品 名	Amt. Req. 個数
29. MF-880-HBM						
1		R5300F0H1AB	Presser foot asm.		押エ(組)	1
2		SS6090670TP	. . . Screw		押エ止ネジ	(1)
3		B1409880HA0	Needle clamp asm.		針留(組)	1
4		B1409880H00	Needle clamp		針留	(1)
5		B1410860H00	. . . Thread guide		針留糸案内	(1)
6		SS6060210SP	. . . . . Screw		針留糸案内止ネジ	(1)
7		B3933880000	Spreader thread guide		スプレッダー糸案内	(1)
8		SS6060410TP	. . . Screw		スプレッダー糸案内止ネジ	(1)
9		SS8080310TP	Screw for needle		針止ネジ	(2)
10		R6000F0H40B	Main feed dog		主送り歯	1
11		R6100F0H40B	Differential feed dog		副送り歯	1
12		R4250F0HG0B	Throat plate		針板	1
30. MF-880-DDM						
1		R5200F0D1AD	Presser foot asm.		押エ(組)	1
2		SS6090670TP	. . . Screw		押エ止ネジ	(1)
3		B1409880DA0	Needle clamp asm.		針留(組)	1
4		B1409880D00	Needle clamp		針留	(1)
5		B1410860D00	. . . Thread guide		針留糸案内	(1)
6		SS6060210SP	. . . . . Screw		針留糸案内止ネジ	(1)
7		B3933880000	Spreader thread guide		スプレッダー糸案内	(1)
8		SS6060410TP	. . . Screw		スプレッダー糸案内止ネジ	(1)
9		SS8080310TP	Screw for needle		針止ネジ	(2)
10		R6000F0G40B	Main feed dog		主送り歯	1
11		R6100F0G40B	Differential feed dog		副送り歯	1
12		R4250F0DG0B	Throat plate		針板	1
31. MF-880-EDM						
1		R5200F0E1AD	Presser foot asm.		押エ(組)	1
2		SS6090670TP	. . . Screw		押エ止ネジ	(1)
3		B1409880EA0	Needle clamp asm.		針留(組)	1
4		B1409880E00	Needle clamp		針留	(1)
5		B1410860E00	. . . Thread guide		針留糸案内	(1)
6		SS6060210SP	. . . . . Screw		針留糸案内止ネジ	(1)
7		B3933880000	Spreader thread guide		スプレッダー糸案内	(1)
8		SS6060410TP	. . . Screw		スプレッダー糸案内止ネジ	(1)
9		SS8080310TP	Screw for needle		針止ネジ	(2)
10		R6000F0G40B	Main feed dog		主送り歯	1
11		R6100F0G40B	Differential feed dog		副送り歯	1
12		R4250F0EG0B	Throat plate		針板	1
32. MF-880-FDM						
1		R5300F0F1AD	Presser foot asm.		押エ(組)	1
2		SS6090670TP	. . . Screw		押エ止ネジ	(1)
3		B1409880FA0	Needle clamp asm.		針留(組)	1
4		B1409880F00	Needle clamp		針留	(1)
5		B1410860F00	. . . Thread guide		針留糸案内	(1)
6		SS6060210SP	. . . . . Screw		針留糸案内止ネジ	(1)
7		B3933880000	Spreader thread guide		スプレッダー糸案内	(1)
8		SS6060410TP	. . . Screw		スプレッダー糸案内止ネジ	(1)
9		SS8080310TP	Screw for needle		針止ネジ	(2)
10		R6000F0G40B	Main feed dog		主送り歯	1
11		R6100F0G40B	Differential feed dog		副送り歯	1
12		R4250F0FG0B	Throat plate		針板	1



33. MF-880-GDM    34. MF-880-HDM    35. MF-880-DEM    36. MF-880-EEM



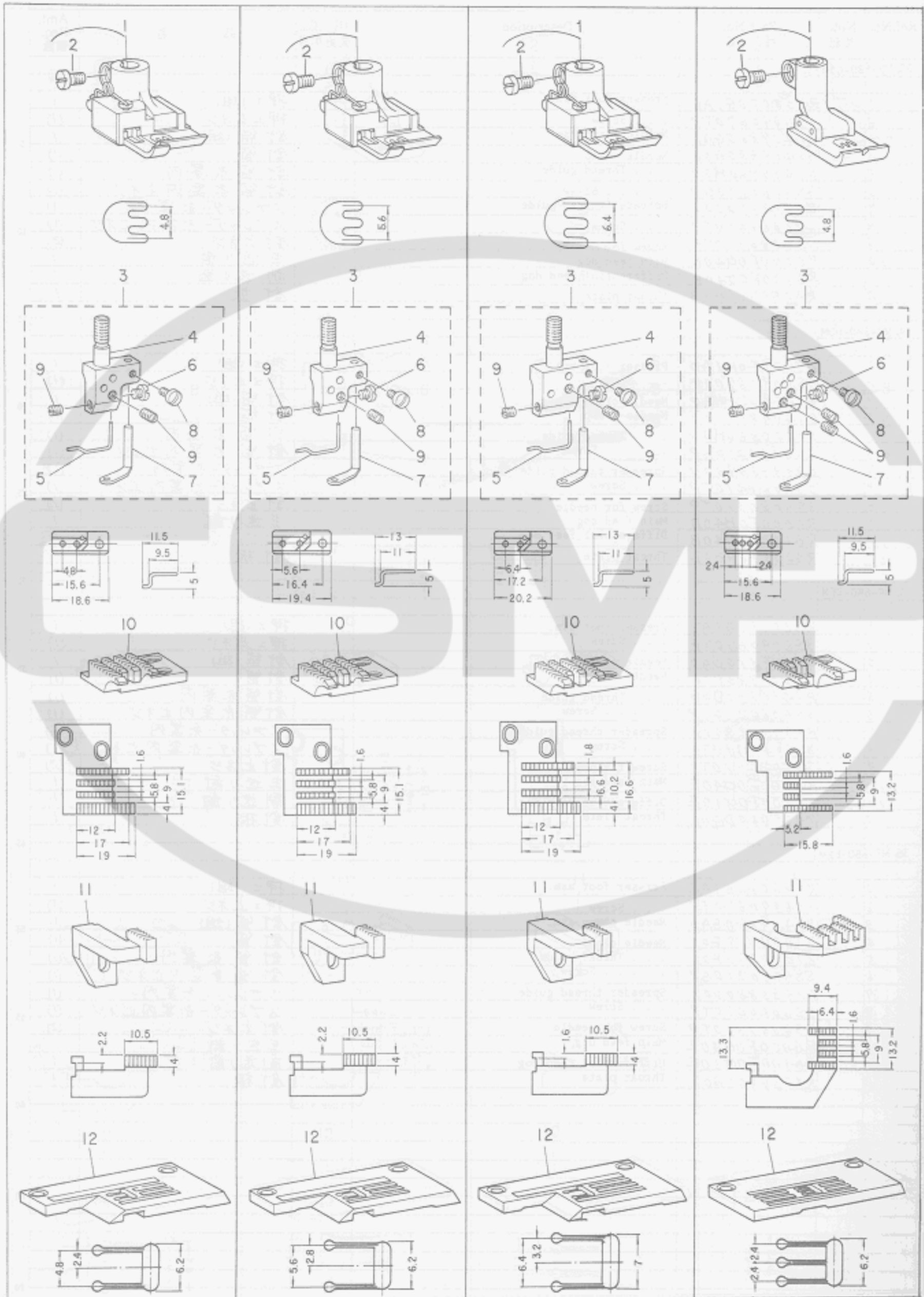
Ref.No.	Note 注記	Part No. 品番	Description	E. C. 変更年月	品名	Amt. Req. 個数
33. MF-880-GDM						
1		R5300F0G1AD	presser foot asm.		押エ(組)	1
2		SS6090670TP	. . . Screw		押エ止ネジ	(1)
3		B1409880GAD	Needle clamp asm.		針留(組)	1
4		B1409880G00	Needle clamp		針留	(1)
5		B1410860H00	. . . Thread guide		針留糸案内	(1)
6		SS6060210SP	. . . . . Screw		針留糸案内止ネジ	(1)
7		B3933880000	Spreader thread guide		スプレッダー糸案内	(1)
8		SS6060410TP	. . . Screw		スプレッダー糸案内止ネジ	(1)
9		SS8080310TP	Screw for needle		針止ネジ	(2)
10		R6000F0G40B	Main feed dog		主送り歯	1
11		R6100F0G40B	Differential feed dog		副送り歯	1
12		R4250F0G40B	Throat plate		針板	1
34. MF-880-HDM						
1		R5300F0H1AD	Presser foot asm.		押エ(組)	1
2		SS6090670TP	. . . Screw		押エ止ネジ	(1)
3		B1409880HAD	Needle clamp asm.		針留(組)	1
4		B1409880H00	Needle clamp		針留	(1)
5		B1410860H00	. . . Thread guide		針留糸案内	(1)
6		SS6060210SP	. . . . . Screw		針留糸案内止ネジ	(1)
7		B3933880000	Spreader thread guide		スプレッダー糸案内	(1)
8		SS6060410TP	. . . Screw		スプレッダー糸案内止ネジ	(1)
9		SS8080310TP	Screw for needle		針止ネジ	(2)
10		R6000F0H40B	Main feed dog		主送り歯	1
11		R6100F0H40B	Differential feed dog		副送り歯	1
12		R4250F0H40B	Throat plate		針板	1
35. MF-880-DEM						
1		R5200F0D1AE	Presser foot asm.		押エ(組)	1
2		SS6090670TP	. . . Screw		押エ止ネジ	(1)
3		B1409880DAD	Needle clamp asm.		針留(組)	1
4		B1409880D00	Needle clamp		針留	(1)
5		B1410860D00	. . . Thread guide		針留糸案内	(1)
6		SS6060210SP	. . . . . Screw		針留糸案内止ネジ	(1)
7		B3933880000	Spreader thread guide		スプレッダー糸案内	(1)
8		SS6060410TP	. . . Screw		スプレッダー糸案内止ネジ	(1)
9		SS8080310TP	Screw for needle		針止ネジ	(2)
10		R6000F0E40E	Main feed dog		主送り歯	1
11		R6100F0E10E	Differential feed dog		副送り歯	1
12		R4250F0E40E	Throat plate		針板	1
36. MF-880-EEM						
1		R5200F0E1AE	Presser foot asm.		押エ(組)	1
2		SS6090670TP	. . . Screw		押エ止ネジ	(1)
3		B1409880EAD	Needle clamp asm.		針留(組)	1
4		B1409880E00	Needle clamp		針留	(1)
5		B1410860E00	. . . Thread guide		針留糸案内	(1)
6		SS6060210SP	. . . . . Screw		針留糸案内止ネジ	(1)
7		B3933880000	Spreader thread guide		スプレッダー糸案内	(1)
8		SS6060410TP	. . . Screw		スプレッダー糸案内止ネジ	(1)
9		SS8080310TP	Screw for needle		針止ネジ	(2)
10		R6000F0E40E	Main feed dog		主送り歯	1
11		R6100F0E10E	Differential feed dog		副送り歯	1
12		R4250F0E40E	Throat plate		針板	1

37. MF-880-FEM

38. MF-880-GEM

39. MF-880-HEM

40. MF-890-FBM



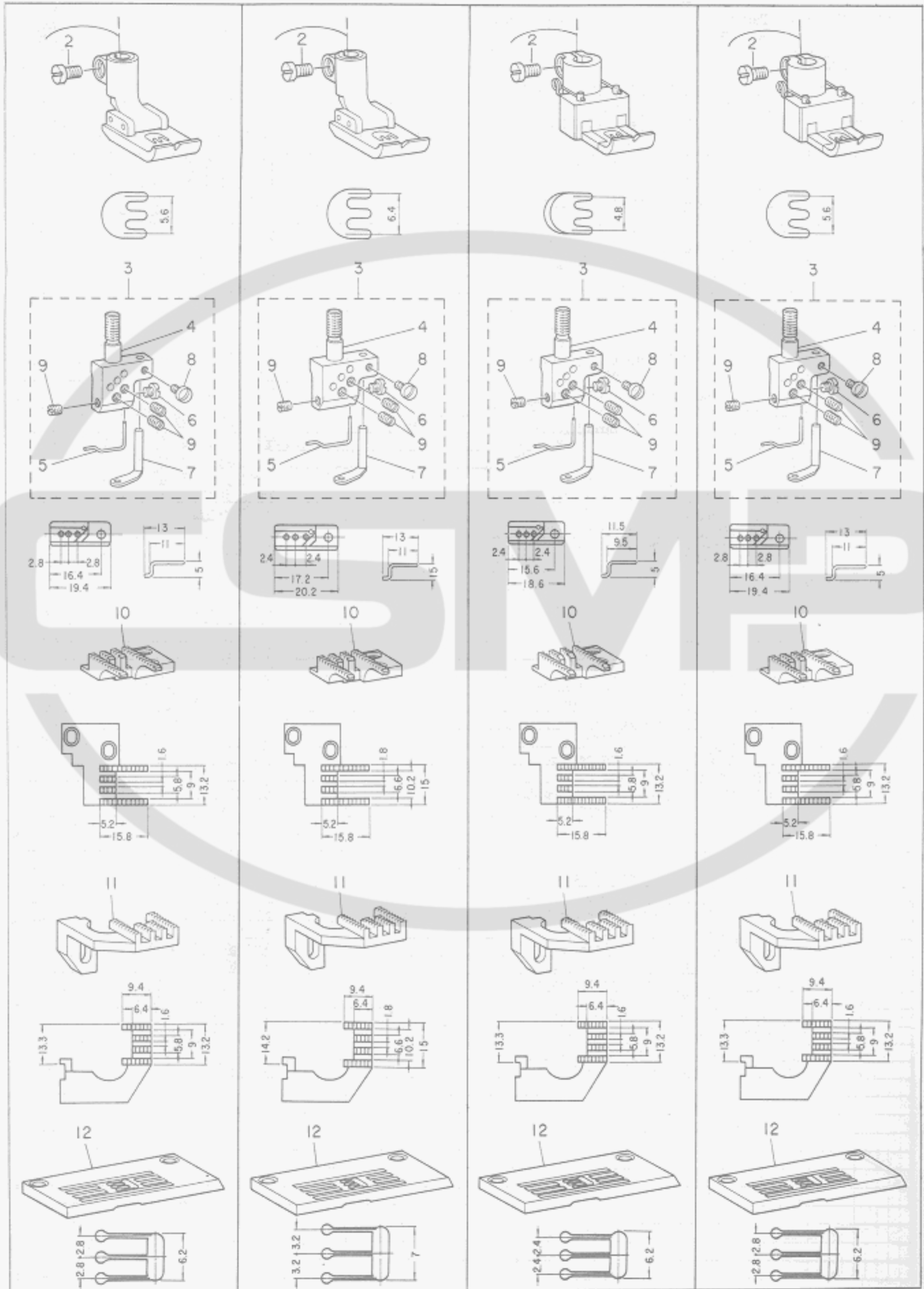
Ref.No.	Note 注記	Part No. 品番	Description	E. C. 変更年月	品名	Amt. Req. 個数
37, MF-880-FEM						
1		R5300F0F1AE	Presser foot asm.		押エ(組)	1
2		SS6090670TP	. . . Screw		押エ止ネジ	(1)
3		B1409880FA0	Needle clamp asm.		針留(組)	1
4		B1409880F00	Needle clamp		針留	(1)
5		B1410860F00	. . . Thread guide		針留糸案内	(1)
6		SS6060210SP	. . . . . Screw		針留糸案内止ネジ	(1)
7		B3933880000	Spreader thread guide		スプレッダー糸案内	(1)
8		SS6060410TP	. . . Screw		スプレッダー糸案内止ネジ	(1)
9		SS8080310TP	Screw for needle		針止ネジ	(2)
10		R6000F0G40E	Main feed dog		主送り歯	1
11		R6100F0G10E	Differential feed dog		副送り歯	1
12		R4250F0G0E	Throat plate		針板	1
38, MF-880-GEM						
1		R5300F0G1AE	Presser foot asm.		押エ(組)	1
2		SS6090670TP	. . . Screw		押エ止ネジ	(1)
3		B1409880GA0	Needle clamp asm.		針留(組)	1
4		B1409880G00	Needle clamp		針留	(1)
5		B1410860H00	. . . Thread guide		針留糸案内	(1)
6		SS6060210SP	. . . . . Screw		針留糸案内止ネジ	(1)
7		B3933880000	Spreader thread guide		スプレッダー糸案内	(1)
8		SS6060410TP	. . . Screw		スプレッダー糸案内止ネジ	(1)
9		SS8080310TP	Screw for needle		針止ネジ	(2)
10		R6000F0G40E	Main feed dog		主送り歯	1
11		R6100F0G10E	Differential feed dog		副送り歯	1
12		R4250F0G0E	Throat plate		針板	1
39, MF-880-HEM						
1		R5300F0H1AE	Presser foot asm.		押エ(組)	1
2		SS6090670TP	. . . Screw		押エ止ネジ	(1)
3		B1409880HA0	Needle clamp asm.		針留(組)	1
4		B1409880H00	Needle clamp		針留	(1)
5		B1410860H00	. . . Thread guide		針留糸案内	(1)
6		SS6060210SP	. . . . . Screw		針留糸案内止ネジ	(1)
7		B3933880000	Spreader thread guide		スプレッダー糸案内	(1)
8		SS6060410TP	. . . Screw		スプレッダー糸案内止ネジ	(1)
9		SS8080310TP	Screw for needle		針止ネジ	(2)
10		R6000F0H40E	Main feed dog		主送り歯	1
11		R6100F0H10E	Differential feed dog		副送り歯	1
12		R4250F0H0E	Throat plate		針板	1
40, MF-890-FBM						
1		R5300F0F1AB	Presser foot asm.		押エ(組)	1
2		SS6090670TP	. . . Screw		押エ止ネジ	(1)
3		B1409890FA0	Needle clamp asm.		針留(組)	1
4		B1409890F00	Needle clamp		針留	(1)
5		B1410860F00	. . . Thread guide		針留糸案内	(1)
6		SS6060210SP	. . . . . Screw		針留糸案内止ネジ	(1)
7		B3933880000	Spreader thread guide		スプレッダー糸案内	(1)
8		SS6060410TP	. . . Screw		スプレッダー糸案内止ネジ	(1)
9		SS8080310TP	Screw for needle		針止ネジ	(3)
10		R6000F0G40B	Main feed dog		主送り歯	1
11		R6100F0G40B	Differential feed dog		副送り歯	1
12		R4350F0F00B	Throat plate		針板	1

41. MF-890-GBM

42. MF-890-HBM

43. MF-890-FDM

44. MF-890-GDM



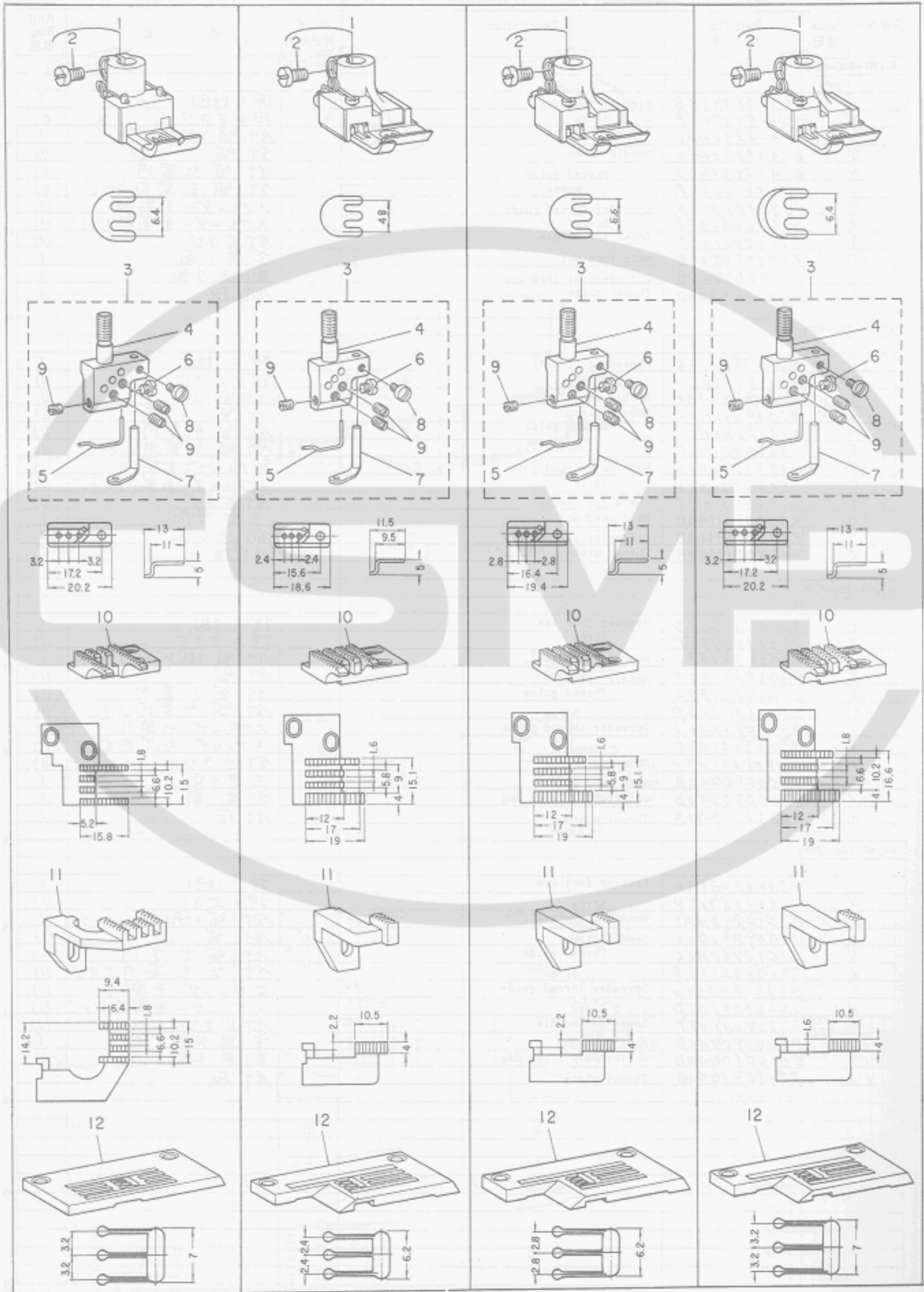
Ref.No.	Note 注記	Part No. 品 番	Description	E. C. 変更年月	品 名	Amt. Req. 個数
41. MF-890-GBM						
1		R5300F0G1AB	Presser foot asm.		押エ(組)	1
2		SS6090670TP	. . . Screw		押エ止ネジ	(1)
3		B1409890GA0	Needle clamp asm.		針留(組)	1
4		B1409890G00	Needle clamp		針留	(1)
5		B1410860H00	. . . Thread guide		針留糸案内	(1)
6		SS6060210SP	. . . . . Screw		針留糸案内止ネジ	(1)
7		B3933880000	Spreader thread guide		スプレッダー糸案内	(1)
8		SS6060410TP	. . . Screw		スプレッダー糸案内止ネジ	(1)
9		SS8080310TP	Screw for needle		針止ネジ	(3)
10		R6000F0G40B	Main feed dog		主送り歯	1
11		R6100F0G40B	Differential feed dog		副送り歯	1
12		R4350F0G40B	Throat plate		針板	1
42. MF-890-HBM						
1		R5300F0H1AB	Presser foot asm.		押エ(組)	1
2		SS6090670TP	. . . Screw		押エ止ネジ	(1)
3		B1409890HA0	Needle clamp asm.		針留(組)	1
4		B1409890H00	Needle clamp		針留	(1)
5		B1410860H00	. . . Thread guide		針留糸案内	(1)
6		SS6060210SP	. . . . . Screw		針留糸案内止ネジ	(1)
7		B3933880000	Spreader thread guide		スプレッダー糸案内	(1)
8		SS6060410TP	. . . Screw		スプレッダー糸案内止ネジ	(1)
9		SS8080310TP	Screw for needle		針止ネジ	(3)
10		R6000F0H40B	Main feed dog		主送り歯	1
11		R6100F0H40B	Differential feed dog		副送り歯	1
12		R4350F0H40B	Throat plate		針板	1
43. MF-890-FDM						
1		R5300F0F1AB	Presser foot asm.		押エ(組)	1
2		SS6090670TP	. . . Screw		押エ止ネジ	(1)
3		B1409890FA0	Needle clamp asm.		針留(組)	1
4		B1409890F00	Needle clamp		針留	(1)
5		B1410860F00	. . . Thread guide		針留糸案内	(1)
6		SS6060210SP	. . . . . Screw		針留糸案内止ネジ	(1)
7		B3933880000	Spreader thread guide		スプレッダー糸案内	(1)
8		SS6060410TP	. . . Screw		スプレッダー糸案内止ネジ	(1)
9		SS8080310TP	Screw for needle		針止ネジ	(3)
10		R6000F0G40B	Main feed dog		主送り歯	1
11		R6100F0G40B	Differential feed dog		副送り歯	1
12		R4350F0F40B	Throat plate		針板	1
44. MF-890-GDM						
1		R5300F0G1AD	Presser foot asm.		押エ(組)	1
2		SS6090670TP	. . . Screw		押エ止ネジ	(1)
3		B1409890GA0	Needle clamp asm.		針留(組)	1
4		B1409890G00	Needle clamp		針留	(1)
5		B1410860H00	. . . Thread guide		針留糸案内	(1)
6		SS6060210SP	. . . . . Screw		針留糸案内止ネジ	(1)
7		B3933880000	Spreader thread guide		スプレッダー糸案内	(1)
8		SS6060410TP	. . . Screw		スプレッダー糸案内止ネジ	(1)
9		SS8080310TP	Screw for needle		針止ネジ	(3)
10		R6000F0G40B	Main feed dog		主送り歯	1
11		R6100F0G40B	Differential feed dog		副送り歯	1
12		R4350F0G40B	Throat plate		針板	1

45. MF-890-HDM

46. MF-890-FEM

47. MF-890-GEM

48. MF-890-HEM



Ref.No.	Note 注記	Part No. 品番	Description	E. C. 変更年月	品名	Amt. Req. 個数
45. MF-890-HDM						
1		R5300F0H1AD	Presser foot asm.		押工(組)	1
2		SS6090670TP	. . . Screw		押工止ネジ	(1)
3		B1409890HA0	Needle clamp asm.		針留(組)	1
4		B1409890H00	Needle clamp		針留	(1)
5		B1410860H00	. . . Thread guide		針留糸案内	(1)
6		SS6060210SP	. . . . . Screw		針留糸案内止ネジ	(1)
7		B3933880000	Spreader thread guide		スプレッダー糸案内	(1)
8		SS6060410TP	. . . Screw		スプレッダー糸案内止ネジ	(1)
9		SS8080310TP	Screw for needle		針止ネジ	(3)
10		R6000F0H40B	Main feed dog		主送り歯	1
11		R6100F0H40B	Differential feed dog		副送り歯	1
12		R4350F0H40B	Throat plate		針板	1
46. MF-890-FEM						
1		R5300F0F1AE	Presser foot asm.		押工(組)	1
2		SS6090670TP	. . . Screw		押工止ネジ	(1)
3		B1409890FA0	Needle clamp asm.		針留(組)	1
4		B1409890F00	Needle clamp		針留	(1)
5		B1410860F00	. . . Thread guide		針留糸案内	(1)
6		SS6060210SP	. . . . . Screw		針留糸案内止ネジ	(1)
7		B3933880000	Spreader thread guide		スプレッダー糸案内	(1)
8		SS6060410TP	. . . Screw		スプレッダー糸案内止ネジ	(1)
9		SS8080310TP	Screw for needle		針止ネジ	(3)
10		R6000F0H40E	Main feed dog		主送り歯	1
11		R6100F0H10E	Differential feed dog		副送り歯	1
12		R4350F0H40E	Throat plate		針板	1
47. MF-890-GEM						
1		R5300F0G1AE	Presser foot asm.		押工(組)	1
2		SS6090670TP	. . . Screw		押工止ネジ	(1)
3		B1409890GA0	Needle clamp asm.		針留(組)	1
4		B1409890G00	Needle clamp		針留	(1)
5		B1410860H00	. . . Thread guide		針留糸案内	(1)
6		SS6060210SP	. . . . . Screw		針留糸案内止ネジ	(1)
7		B3933880000	Spreader thread guide		スプレッダー糸案内	(1)
8		SS6060410TP	. . . Screw		スプレッダー糸案内止ネジ	(1)
9		SS8080310TP	Screw for needle		針止ネジ	(3)
10		R6000F0H40E	Main feed dog		主送り歯	1
11		R6100F0H10E	Differential feed dog		副送り歯	1
12		R4350F0H40E	Throat plate		針板	1
48. MF-890-HEM						
1		R5300F0H1AE	Presser foot asm.		押工(組)	1
2		SS6090670TP	. . . Screw		押工止ネジ	(1)
3		B1409890HA0	Needle clamp asm.		針留(組)	1
4		B1409890H00	Needle clamp		針留	(1)
5		B1410860H00	. . . Thread guide		針留糸案内	(1)
6		SS6060210SP	. . . . . Screw		針留糸案内止ネジ	(1)
7		B3933880000	Spreader thread guide		スプレッダー糸案内	(1)
8		SS6060410TP	. . . Screw		スプレッダー糸案内止ネジ	(1)
9		SS8080310TP	Screw for needle		針止ネジ	(3)
10		R6000F0H40E	Main feed dog		主送り歯	1
11		R6100F0H10E	Differential feed dog		副送り歯	1
12		R4350F0H40E	Throat plate		針板	1



Part No. 品番	Page 頁	Item 項目	Ref. NO.	Part No. 品番	Page 頁	Item 項目	Ref. NO.	Part No. 品番	Page 頁	Item 項目	Ref. NO.
EXCLUSIVE PARTS "B" 専用部品 "B"				EXCLUSIVE PARTS "R" 専用部品 "R"							
B1409-860-DA0	2	1	3	B1409-890-F00	24	46	4	R4250-F0D-G0B	2	1	10
B1409-860-DA0	4	6	3	B1409-890-GA0	22	41	3	R4250-F0D-G0B	4	6	10
B1409-860-DA0	6	11	3	B1409-890-GA0	22	44	3	R4250-F0D-G0B	14	25	12
B1409-860-D00	2	1	4	B1409-890-GA0	24	47	3	R4250-F0D-G0B	16	30	12
B1409-860-D00	4	6	4	B1409-890-G00	27	41	4	R4250-F0D-G0E	6	11	10
B1409-860-D00	6	11	4	B1409-890-G00	22	44	4	R4250-F0D-G0E	18	35	12
B1409-860-EA0	2	2	3	B1409-890-HA0	22	42	3	R4250-F0E-G0B	2	2	10
B1409-860-EA0	4	7	3	B1409-890-HA0	24	45	3	R4250-F0E-G0B	4	7	10
B1409-860-EA0	6	12	3	B1409-890-HA0	24	48	3	R4250-F0E-G0B	4	7	10
B1409-860-E00	2	2	4	B1409-890-H00	27	42	4	R4250-F0E-G0B	4	8	10
B1409-860-E00	4	7	4	B1409-890-H00	24	45	4	R4250-F0E-G0B	14	26	12
B1409-860-E00	6	12	4	B1409-890-H00	24	48	4	R4250-F0E-G0B	16	31	12
B1409-860-FA0	2	3	3	B1410-860-D00	2	2	5	R4250-F0E-G0E	6	12	10
B1409-860-FA0	4	8	3	B1410-860-D00	4	6	5	R4250-F0E-G0E	18	36	12
B1409-860-FA0	8	13	3	B1410-860-D00	4	7	5	R4250-F0F-G0B	2	3	10
B1409-860-F00	2	3	4	B1410-860-D00	4	8	5	R4250-F0F-G0B	14	27	12
B1409-860-F00	4	8	4	B1410-860-D00	6	9	5	R4250-F0F-G0E	8	13	10
B1409-860-F00	8	13	4	B1410-860-D00	6	10	5	R4250-F0F-G0E	20	37	12
B1409-860-GA0	2	4	3	B1410-860-D00	10	19	5	R4250-F0G-G0B	2	4	10
B1409-860-GA0	6	9	3	B1410-860-D00	10	20	5	R4250-F0G-G0B	6	9	10
B1409-860-GA0	8	14	3	B1410-860-D00	12	21	5	R4250-F0G-G0B	14	28	12
B1409-860-G00	2	4	4	B1410-860-D00	14	25	5	R4250-F0G-G0B	18	33	12
B1409-860-G00	6	9	4	B1410-860-D00	14	26	5	R4250-F0G-G0E	8	14	10
B1409-860-G00	8	14	4	B1410-860-D00	16	30	5	R4250-F0G-G0E	20	38	12
B1409-860-HA0	4	5	3	B1410-860-D00	16	31	5	R4250-F0H-G0B	4	5	10
B1409-860-HA0	6	10	3	B1410-860-D00	16	32	5	R4250-F0H-G0B	6	10	10
B1409-860-HA0	8	15	3	B1410-860-D00	18	33	5	R4250-F0H-G0B	16	29	12
B1409-860-H00	4	5	4	B1410-860-D00	18	34	5	R4250-F0H-G0B	18	34	12
B1409-860-H00	6	10	4	B1410-860-D00	22	43	5	R4250-F0H-G0E	8	15	10
B1409-860-H00	8	15	4	B1410-860-D00	22	44	5	R4250-F0H-G0E	20	39	12
B1409-870-FA0	8	16	3	B1410-860-D00	24	45	5	R4350-F0F-G0B	8	16	10
B1409-870-FA0	10	19	3	B1410-860-F00	2	3	5	R4350-F0F-G0B	10	19	10
B1409-870-FA0	12	22	3	B1410-860-F00	6	11	5	R4350-F0F-G0B	20	40	12
B1409-870-F00	8	16	4	B1410-860-F00	6	12	5	R4350-F0F-G0E	22	43	12
B1409-870-F00	10	19	4	B1410-860-F00	8	13	5	R4350-F0F-G0E	12	22	10
B1409-870-F00	12	22	4	B1410-860-F00	8	14	5	R4350-F0F-G0E	24	46	12
B1409-870-GA0	10	17	3	B1410-860-F00	9	15	5	R4350-F0G-G0B	10	17	10
B1409-870-GA0	12	23	3	B1410-860-F00	8	16	5	R4350-F0G-G0B	10	20	10
B1409-870-GA0	12	23	3	B1410-860-F00	8	16	5	R4350-F0G-G0B	22	41	12
B1409-870-G00	10	17	4	B1410-860-F00	12	22	5	R4350-F0G-G0B	22	44	12
B1409-870-G00	10	20	4	B1410-860-F00	12	23	5	R4350-F0G-G0E	12	23	10
B1409-870-G00	12	23	4	B1410-860-F00	12	24	5	R4350-F0G-G0E	24	47	12
B1409-870-HA0	10	18	3	B1410-860-F00	14	27	5	R4350-F0H-G0B	10	18	10
B1409-870-HA0	12	21	3	B1410-860-F00	14	27	5	R4350-F0H-G0B	12	21	10
B1409-870-HA0	12	24	3	B1410-860-F00	18	35	5	R4350-F0H-G0B	12	21	10
B1409-870-H00	10	18	4	B1410-860-F00	18	36	5	R4350-F0H-G0B	22	42	12
B1409-870-H00	12	21	4	B1410-860-F00	20	37	5	R4350-F0H-G0B	24	45	12
B1409-870-H00	12	24	4	B1410-860-F00	20	38	5	R4350-F0H-G0E	12	24	10
B1409-880-DA0	14	25	3	B1410-860-F00	20	39	5	R4350-F0H-G0E	24	48	12
B1409-880-DA0	16	30	3	B1410-860-F00	20	40	5	R5200-F0D-0AB	2	1	1
B1409-880-DA0	18	35	3	B1410-860-F00	24	46	5	R5200-F0D-0AD	4	6	1
B1409-880-D00	14	25	4	B1410-860-F00	24	47	5	R5200-F0D-0AE	6	11	1
B1409-880-D00	16	30	4	B1410-860-F00	24	48	5	R5200-F0D-1AB	14	25	1
B1409-880-D00	18	35	4	B1410-860-H00	2	4	5	R5200-F0D-1AD	16	30	1
B1409-880-EA0	14	26	3	B1410-860-H00	4	5	5	R5200-F0D-1AE	18	35	1
B1409-880-EA0	16	31	3	B1410-860-H00	10	17	5	R5200-F0E-0AB	2	2	1
B1409-880-EA0	18	36	3	B1410-860-H00	10	18	5	R5200-F0E-0AD	4	7	1
B1409-880-E00	14	26	4	B1410-860-H00	14	28	5	R5200-F0E-0AE	6	12	1
B1409-880-E00	16	31	4	B1410-860-H00	16	29	5	R5200-F0E-1AB	14	26	1
B1409-880-E00	18	36	4	B1410-860-H00	22	41	5	R5200-F0E-1AD	16	31	1
B1409-880-FA0	14	27	3	B1410-860-H00	22	42	5	R5200-F0E-1AE	18	36	1
B1409-880-FA0	16	32	3	B3933-880-000	14	25	7	R5300-F0F-1AB	2	3	1
B1409-880-FA0	20	37	3	B3933-880-000	14	26	7	R5300-F0F-1AB	8	16	1
B1409-880-F00	14	27	4	B3933-880-000	14	27	7	R5300-F0F-1AB	14	27	1
B1409-880-F00	16	32	4	B3933-880-000	14	28	7	R5300-F0F-1AB	20	40	1
B1409-880-F00	20	37	4	B3933-880-000	16	29	7	R5300-F0F-1AD	4	8	1
B1409-880-GA0	14	28	3	B3933-880-000	16	30	7	R5300-F0F-1AD	10	19	1
B1409-880-GA0	18	33	3	B3933-880-000	16	31	7	R5300-F0F-1AD	16	32	1
B1409-880-GA0	20	38	3	B3933-880-000	16	32	7	R5300-F0F-1AD	22	43	1
B1409-880-G00	14	28	4	B3933-880-000	18	33	7	R5300-F0F-1AE	8	13	1
B1409-880-G00	18	33	4	B3933-880-000	18	34	7	R5300-F0F-1AE	12	22	1
B1409-880-G00	20	38	4	B3933-880-000	18	35	7	R5300-F0F-1AE	20	37	1
B1409-880-HA0	16	29	3	B3933-880-000	18	36	7	R5300-F0F-1AE	24	46	1
B1409-880-HA0	18	34	3	B3933-880-000	20	37	7	R5300-F0G-1AB	2	4	1
B1409-880-HA0	20	39	3	B3933-880-000	20	38	7	R5300-F0G-1AB	10	17	1
B1409-880-H00	16	29	4	B3933-880-000	20	39	7	R5300-F0G-1AB	14	28	1
B1409-880-H00	18	34	4	B3933-880-000	22	41	7	R5300-F0G-1AB	22	41	1
B1409-880-H00	20	39	4	B3933-880-000	22	42	7	R5300-F0G-1AD	6	9	1
B1409-890-FA0	20	40	3	B3933-880-000	22	43	7	R5300-F0G-1AD	10	20	1
B1409-890-FA0	22	43	3	B3933-880-000	22	44	7	R5300-F0G-1AD	18	33	1
B1409-890-FA0	24	46	3	B3933-880-000	22	44	7	R5300-F0G-1AD	22	44	1
B1409-890-F00	20	40	4	B3933-880-000	24	45	7	R5300-F0G-1AE	8	14	1
B1409-890-F00	22	43	4	B3933-880-000	24	46	7	R5300-F0G-1AE	12	23	1
B1409-890-F00	24	46	4	B3933-880-000	24	47	7	R5300-F0G-1AE	20	38	1
				B3933-880-000	24	48	7	R5300-F0G-1AE	24	47	1
								R5300-F0H-1AB	4	5	1

Part No.	Page	Item	Ref.	Part No.	Page	Item	Ref.	Part No.	Page	Item	Ref.
品番	頁	項目	NO.	品番	頁	項目	NO.	品番	頁	項目	NO.
R5300-F0H-1AB	10	18	1	R6100-F0G-40B	14	27	11	SS-6060410-TP	20	38	8
R5300-F0H-1AB	16	29	1	R6100-F0G-40B	14	28	11	SS-6060410-TP	20	39	8
R5300-F0H-1AB	27	42	1	R6100-F0G-40B	16	30	11	SS-6060410-TP	20	40	8
R5300-F0H-1AD	6	10	1	R6100-F0G-40B	16	31	11	SS-6060410-TP	22	41	8
R5300-F0H-1AD	17	21	1	R6100-F0G-40B	16	32	11	SS-6060410-TP	22	42	8
R5300-F0H-1AD	18	34	1	R6100-F0G-40B	17	33	11	SS-6060410-TP	22	43	8
R5300-F0H-1AD	24	45	1	R6100-F0G-40B	20	40	11	SS-6060410-TP	27	44	8
R5300-F0H-1AE	6	15	1	R6100-F0G-40B	27	43	11	SS-6060410-TP	24	45	8
R5300-F0H-1AE	17	24	1	R6100-F0G-40B	22	44	11	SS-6060410-TP	24	46	8
R5300-F0H-1AE	20	39	1	R6100-F0H-10E	8	15	9	SS-6060410-TP	24	47	8
R5300-F0H-1AE	24	48	1	R6100-F0H-10E	17	24	9	SS-6060410-TP	24	48	8
R6000-F0G-40B	2	1	8	R6100-F0H-10E	20	39	11	SS-6090670-TP	2	1	2
R6000-F0G-40B	2	2	8	R6100-F0H-10E	24	40	11	SS-6090670-TP	2	2	2
R6000-F0G-40B	2	3	8	R6100-F0H-40B	4	05	9	SS-6090670-TP	2	3	2
R6000-F0G-40B	2	4	8	R6100-F0H-40B	4	10	9	SS-6090670-TP	2	4	2
R6000-F0G-40B	4	6	8	R6100-F0H-40B	11	18	9	SS-6090670-TP	4	5	2
R6000-F0G-40B	4	7	8	R6100-F0H-40B	17	21	9	SS-6090670-TP	4	6	2
R6000-F0G-40B	4	8	8	R6100-F0H-40B	16	20	11	SS-6090670-TP	4	7	2
R6000-F0G-40B	6	9	8	R6100-F0H-40B	17	34	11	SS-6090670-TP	4	8	2
R6000-F0G-40B	9	16	8	R6100-F0H-40B	27	42	11	SS-6090670-TP	6	9	2
R6000-F0G-40B	10	17	8	R6100-F0H-40B	24	45	11	SS-6090670-TP	6	10	2
R6000-F0G-40B	10	19	8					SS-6090670-TP	6	11	2
R6000-F0G-40B	10	20	8					SS-6090670-TP	6	12	2
R6000-F0G-40B	14	25	10	SCREW		止ネジ		SS-6090670-TP	8	13	2
R6000-F0G-40B	14	26	10					SS-6090670-TP	8	14	2
R6000-F0G-40B	14	27	10	SS-6060210-SP	2	1	6	SS-6090670-TP	8	15	2
R6000-F0G-40B	14	28	10	SS-6060210-SP	2	2	6	SS-6090670-TP	8	16	2
R6000-F0G-40B	16	30	10	SS-6060210-SP	2	3	6	SS-6090670-TP	10	17	2
R6000-F0G-40B	16	31	10	SS-6060210-SP	2	4	6	SS-6090670-TP	10	18	2
R6000-F0G-40B	16	32	10	SS-6060210-SP	4	5	6	SS-6090670-TP	10	19	2
R6000-F0G-40B	18	33	10	SS-6060210-SP	4	6	6	SS-6090670-TP	10	20	2
R6000-F0G-40B	20	40	10	SS-6060210-SP	4	7	6	SS-6090670-TP	12	21	2
R6000-F0G-40B	22	41	10	SS-6060210-SP	4	8	6	SS-6090670-TP	12	22	2
R6000-F0G-40B	22	41	11	SS-6060210-SP	6	9	6	SS-6090670-TP	12	23	2
R6000-F0G-40B	22	43	10	SS-6060210-SP	6	10	6	SS-6090670-TP	12	24	2
R6000-F0G-40B	22	44	10	SS-6060210-SP	6	11	6	SS-6090670-TP	14	25	2
R6000-F0G-40E	6	11	8	SS-6060210-SP	6	12	6	SS-6090670-TP	14	26	2
R6000-F0G-40E	6	12	8	SS-6060210-SP	8	13	6	SS-6090670-TP	14	27	2
R6000-F0G-40E	8	13	8	SS-6060210-SP	8	14	6	SS-6090670-TP	14	28	2
R6000-F0G-40E	8	14	8	SS-6060210-SP	8	15	6	SS-6090670-TP	16	29	2
R6000-F0G-40E	12	22	8	SS-6060210-SP	8	16	6	SS-6090670-TP	16	30	2
R6000-F0G-40E	12	23	8	SS-6060210-SP	10	17	6	SS-6090670-TP	16	31	2
R6000-F0G-40E	18	35	10	SS-6060210-SP	10	18	6	SS-6090670-TP	16	32	2
R6000-F0G-40E	18	36	10	SS-6060210-SP	10	19	6	SS-6090670-TP	18	33	2
R6000-F0G-40E	20	37	10	SS-6060210-SP	10	20	6	SS-6090670-TP	18	34	2
R6000-F0G-40E	20	38	10	SS-6060210-SP	12	21	6	SS-6090670-TP	18	35	2
R6000-F0G-40E	24	46	10	SS-6060210-SP	12	22	6	SS-6090670-TP	18	36	2
R6000-F0G-40E	24	47	10	SS-6060210-SP	12	23	6	SS-6090670-TP	20	37	2
R6000-F0H-40B	4	5	8	SS-6060210-SP	12	24	6	SS-6090670-TP	20	38	2
R6000-F0H-40B	6	10	8	SS-6060210-SP	14	25	6	SS-6090670-TP	20	39	2
R6000-F0H-40B	10	18	8	SS-6060210-SP	14	26	6	SS-6090670-TP	20	40	2
R6000-F0H-40B	12	21	8	SS-6060210-SP	14	27	6	SS-6090670-TP	22	41	2
R6000-F0H-40B	16	29	10	SS-6060210-SP	14	28	6	SS-6090670-TP	22	42	2
R6000-F0H-40B	18	34	10	SS-6060210-SP	16	29	6	SS-6090670-TP	22	43	2
R6000-F0H-40B	22	42	10	SS-6060210-SP	16	30	6	SS-6090670-TP	22	44	2
R6000-F0H-40B	24	45	10	SS-6060210-SP	16	31	6	SS-6090670-TP	24	45	2
R6000-F0H-40E	8	15	8	SS-6060210-SP	16	32	6	SS-6090670-TP	24	46	2
R6000-F0H-40E	12	24	8	SS-6060210-SP	18	33	6	SS-6090670-TP	24	47	2
R6000-F0H-40E	20	39	10	SS-6060210-SP	18	34	6	SS-6090670-TP	24	48	2
R6000-F0H-40E	24	48	10	SS-6060210-SP	18	35	6	SS-8080310-TP	2	1	7
R6100-F0G-10E	6	11	9	SS-6060210-SP	18	36	6	SS-8080310-TP	2	2	7
R6100-F0G-10E	6	12	9	SS-6060210-SP	20	37	6	SS-8080310-TP	2	3	7
R6100-F0G-10E	8	13	9	SS-6060210-SP	20	38	6	SS-8080310-TP	2	4	7
R6100-F0G-10E	8	14	9	SS-6060210-SP	20	39	6	SS-8080310-TP	4	5	7
R6100-F0G-10E	12	22	9	SS-6060210-SP	20	40	6	SS-8080310-TP	4	6	7
R6100-F0G-10E	12	23	9	SS-6060210-SP	22	41	6	SS-8080310-TP	4	7	7
R6100-F0G-10E	18	35	11	SS-6060210-SP	22	42	6	SS-8080310-TP	4	8	7
R6100-F0G-10E	18	36	11	SS-6060210-SP	22	43	6	SS-8080310-TP	6	9	7
R6100-F0G-10E	20	37	11	SS-6060210-SP	22	44	6	SS-8080310-TP	6	10	7
R6100-F0G-10E	20	38	11	SS-6060210-SP	24	45	6	SS-8080310-TP	6	11	7
R6100-F0G-10E	24	46	11	SS-6060210-SP	24	46	6	SS-8080310-TP	6	12	7
R6100-F0G-10E	24	47	11	SS-6060210-SP	24	47	6	SS-8080310-TP	8	13	7
R6100-F0G-40B	2	1	9	SS-6060210-SP	24	48	6	SS-8080310-TP	8	14	7
R6100-F0G-40B	2	2	9	SS-6060410-TP	14	25	8	SS-8080310-TP	8	15	7
R6100-F0G-40B	2	3	9	SS-6060410-TP	14	26	8	SS-8080310-TP	8	16	7
R6100-F0G-40B	2	4	9	SS-6060410-TP	14	27	8	SS-8080310-TP	10	17	7
R6100-F0G-40B	4	6	9	SS-6060410-TP	14	28	8	SS-8080310-TP	10	18	7
R6100-F0G-40B	4	7	9	SS-6060410-TP	16	29	8	SS-8080310-TP	10	19	7
R6100-F0G-40B	4	8	9	SS-6060410-TP	16	30	8	SS-8080310-TP	10	20	7
R6100-F0G-40B	6	9	9	SS-6060410-TP	16	31	8	SS-8080310-TP	12	21	7
R6100-F0G-40B	8	16	9	SS-6060410-TP	16	32	8	SS-8080310-TP	12	22	7
R6100-F0G-40B	10	17	9	SS-6060410-TP	18	33	8	SS-8080310-TP	12	23	7
R6100-F0G-40B	10	19	9	SS-6060410-TP	18	34	8	SS-8080310-TP	12	24	7
R6100-F0G-40B	10	20	9	SS-6060410-TP	18	35	8	SS-8080310-TP	14	25	9
R6100-F0G-40B	14	25	11	SS-6060410-TP	18	36	8	SS-8080310-TP	14	26	9
R6100-F0G-40B	14	26	11	SS-6060410-TP	20	37	8	SS-8080310-TP	14	27	9